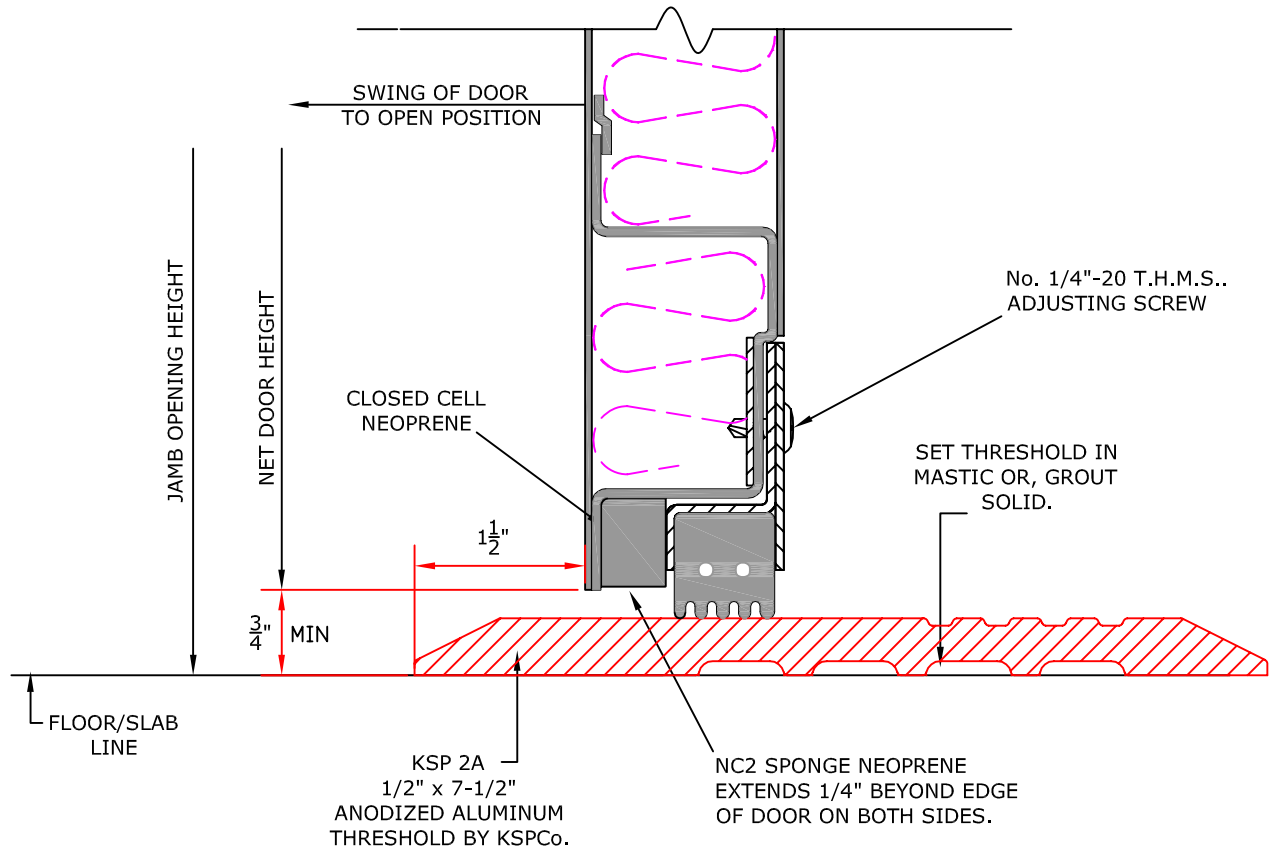


STC 46



Pico Rivera, CA 90660
(562) 695 - 0645



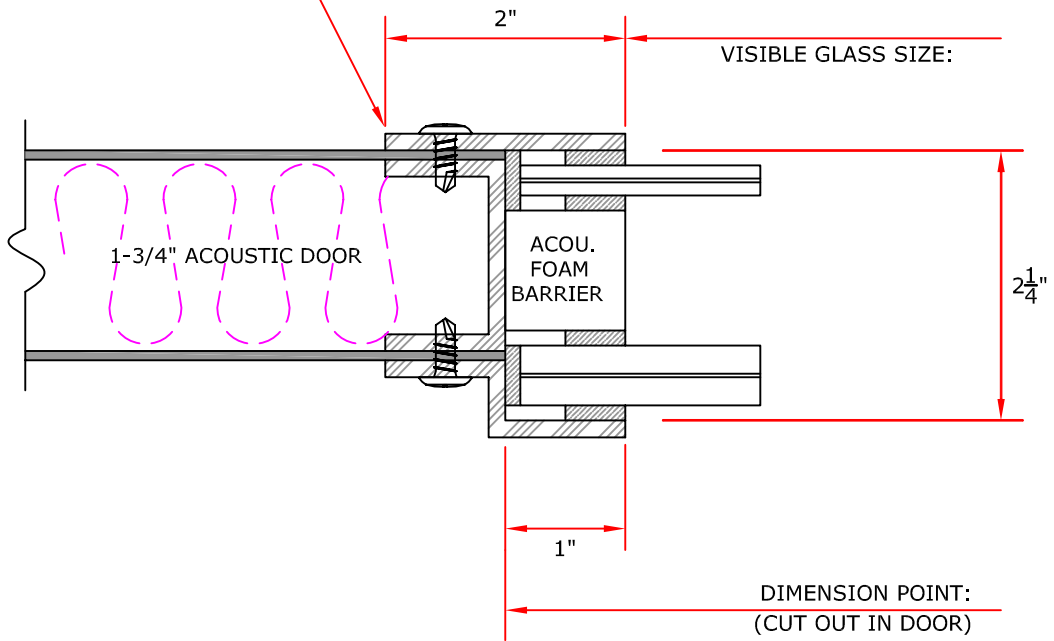
CAM-LIFT DOOR BOTTOM ASSEMBLIES

STC 46



Pico Rivera, CA 90660
(562) 695 - 0645

12 GAUGE X 2" STEEL MOLDING
ATTACHED WITH No. 8 T.H.S.M.S. AT
APPROXIMATELY 8" O.C.



1725 sq. in. MAX

STC 46



Pico Rivera, CA 90660
(562) 695 - 0645